

MEASUREMENT POINT

IC 21	74LS00	7	14				
IC 22	4069	7				14	
IC 23	7905						
IC 24	7805						
IC 25	LM3302	12	3				
IC 26	2316E	12	24				
IC 27	LM1809	5					
IC 28	74LS153	8	16				
IC 29	74LS374	10	20				
IC 30	74LS175	8	16				
IC 31	4115	16	9	8	1		
IC 32	4115	16	4	8	1		
IC 33	4115	16	9	8	1		
IC 34	4115	16	7	8	1		
IC 35	4115	16	9	8	1		
IC 36	74LS153	8	16				
IC 37	74LS153	8	16				
IC 38	74LS256	8	16				
IC 39	76477	2	15				
IC 40	74LS373	7	14				
IC 41	74LS374	10	20				
IC 42	74LS138	8	16				
IC 43	74LS138	8	16				
IC 44	8080A	2	20	28	11		
IC 45	74LS279	8	16				
IC 46	74LS373	7	14				
IC 47	74LS374	10	20				
IC 48	74LS195	8	16				
IC 49	7407	7	14				
IC 50	74LS04	7	14				
IC 51	74LS04	7	14				
IC 52	74LS04	7	14				
IC 53	74LS04	7	14				
IC 54	74LS10	7	14				
IC 55	74LS11	7	14				

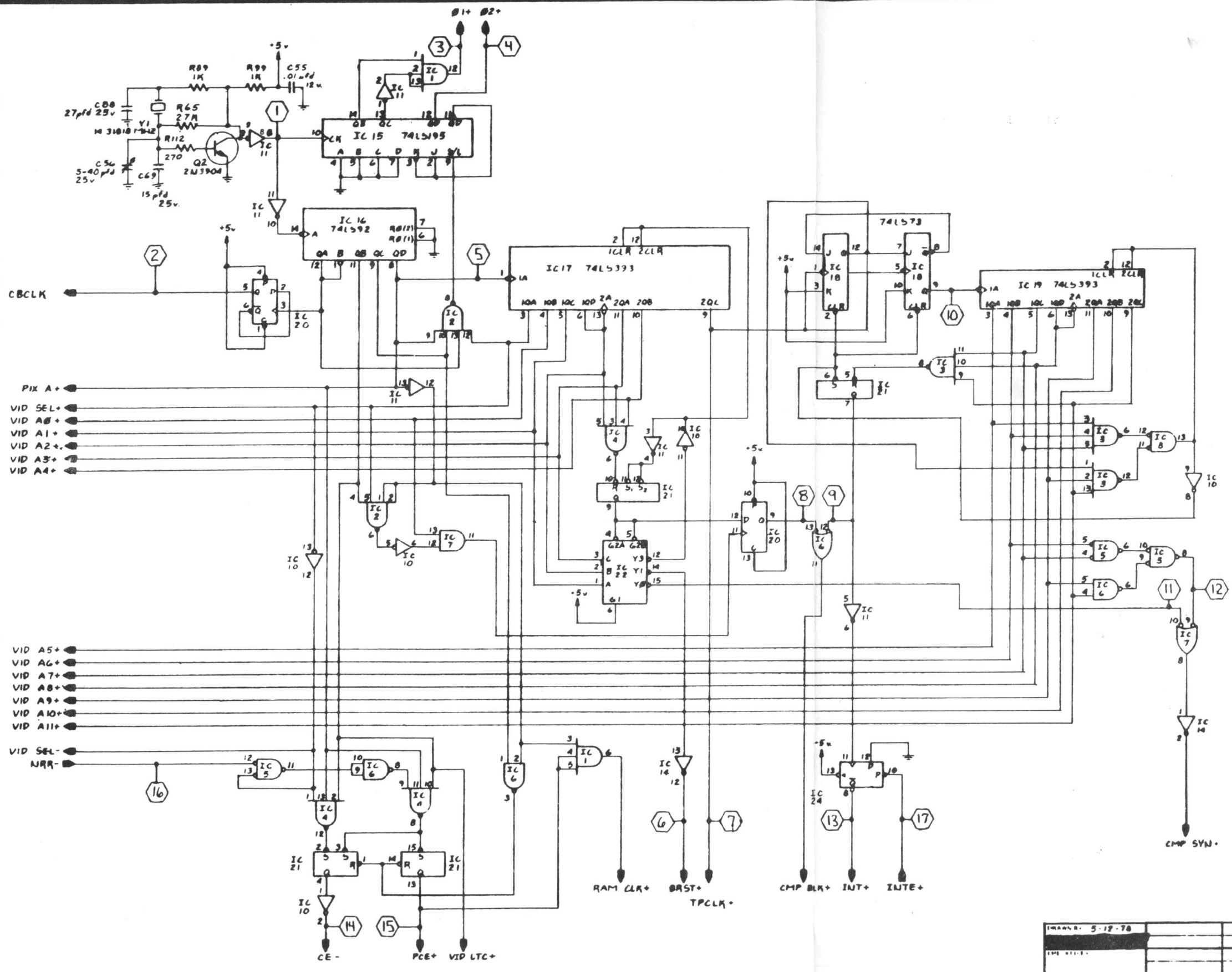
IC 56	7406	7	14				
IC 57	4081	7				14	
IC 58	74LS374	10	20				
IC 59	7812						
IC 60	74LS04	7	14				
IC 61	LF354	7				4	
IC 62	2316E	12	24				
IC 63	74LS153	8	16				
IC 64	74LS374	10	20				
IC 65	74LS153	8	16				
IC 66	74LS374	10	20				
IC 67	4115	16	7	8	1		
IC 68	4115	16	9	8	1		
IC 69	4115	16	9	8	1		
IC 70	4115	16	9	8	1		
IC 71	4115	16	9	8	1		
IC 72	74LS153	8	16				
IC 73	74LS153	8	16				
IC 74	74LS256	8	16				
IC 75	74LS374	10	20				
IC 76	74LS374	10	20				
IC 77	74LS138	8	16				
IC 78	74LS138	8	16				
IC 79	74LS74	7	14				
IC 80	74LS138	8	16				
IC 81	74LS74	7	14				
IC 82	74LS74	7	14				
IC 83	74LS73	1	4				
IC 84	74LS02	10	5				
IC 85	7406	7	14				
IC 86	74LS08	7	14				
IC 87	74LS02	7	14				
IC 88	74LS10	7	14				
IC 89	74LS20	7	14				

TRANS:	5-15-78
DESIGNER:	
APPROVED:	
DATE:	
REV:	
10-0010	5-0094
USED ON:	NAVY ARMY

UNLESS OTHERWISE SPECIFIED TOLERANCES ARE IN INCHES
 3 PLACE DEC.
 3 PLACE DEC.
 MATERIAL
 16K RAM COMPUTER
 MAIN ELECTRONICS SCHEMATIC
 MODEL "R"
 D 13 0160 SHEET 1

CRYSTAL 14.3 8180 MHZ

REVISIONS		DATE	APPROVED
1	REL FOR PROD		

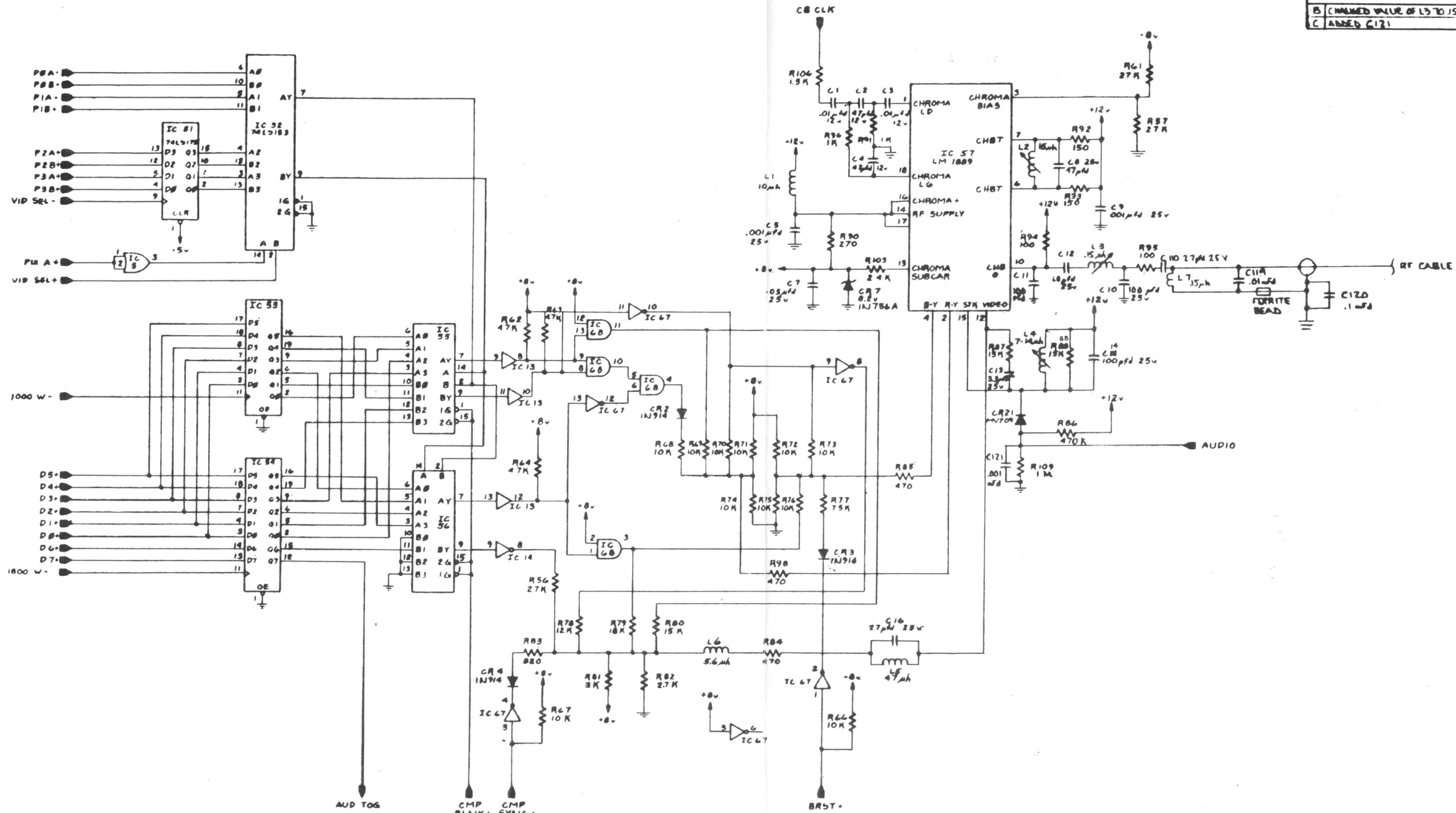


1.32345

MEASUREMENT POINTS

DATE: 5-12-78	UNLESS OTHERWISE SPECIFIED TOLERANCES ARE IN INCHES	16K RAM COMPUTER MAIN ELECTRONICS SCHEMATIC MODEL "R"
APPROVED:	3 PLACE DEC: 3 PLACE DEC:	
10-0010	5-0094	D
USED ON: [blank]	USED BY: [blank]	13 018
APPROVED:	APPROVED:	SHEET 2

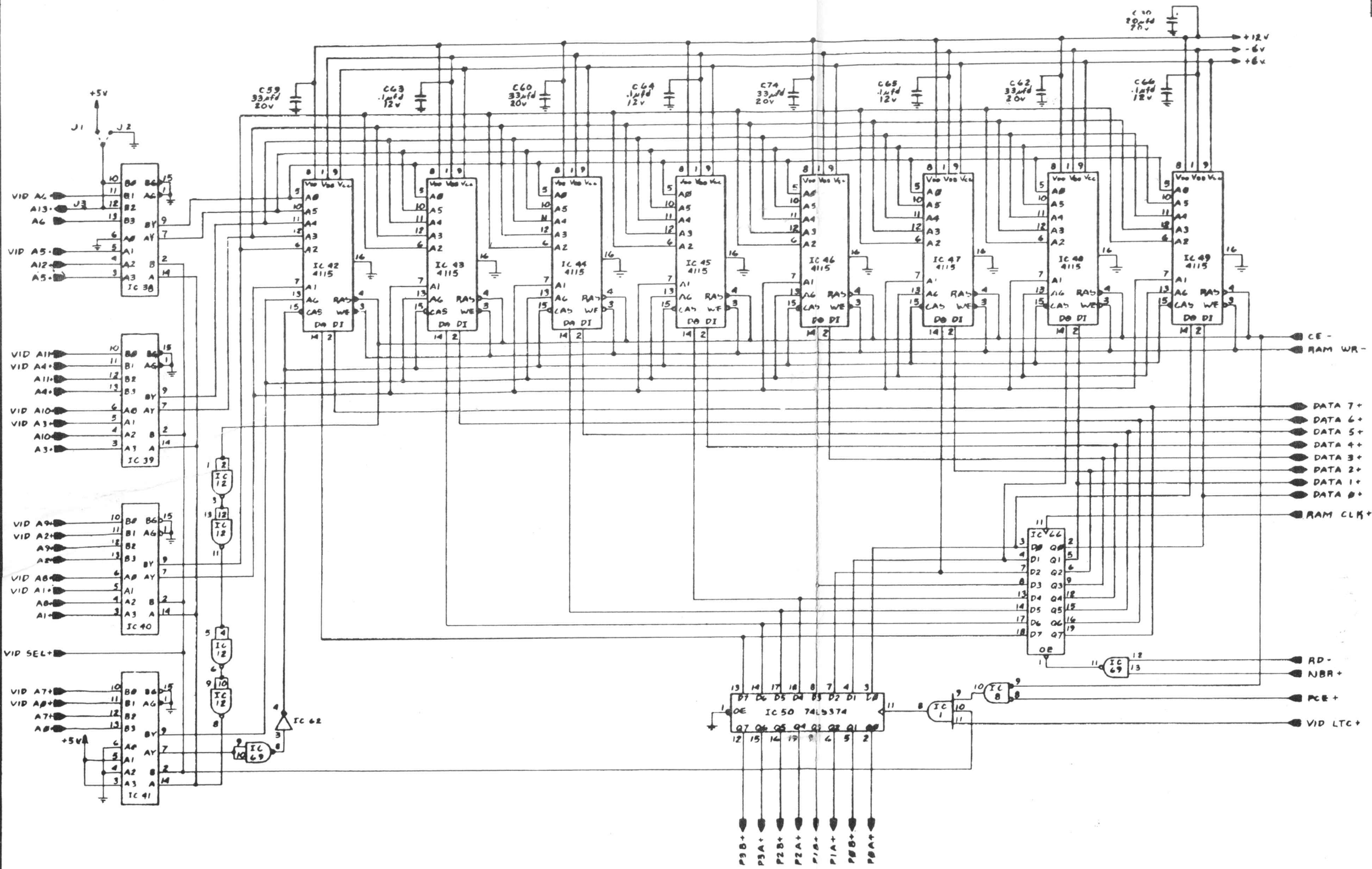
REVISIONS			
LT#	DESCRIPTION	DATE	APPROVED
	REL FOR PROD		
A	CHANGED C10 (C11 TO 100 PFD) & ADDED R74 R8	8-28-78	
	C119 & C120		
B	CHANGED VALUE OF L3 TO 15 μH	8-28-78	
C	ADDED C121	9-1-78	



DRAWN BY: 5-17-78	DESIGNED BY: [REDACTED]	DATE: [REDACTED]	SCALE: [REDACTED]
CHECKED BY:	APPROVED:	DATE: [REDACTED]	SCALE: [REDACTED]
SPECIFIC TOLERANCES ARE IN INCHES		3 PLACE DEC. !	
3 PLACE DEC. !		DATE: [REDACTED]	
10-0010		5-0094	
LMD OR		REV. 001	
APPLICATION:		PART:	
D		13-0168	
SHEET 3		C	

MAIN ELECTRONICS SCHEMATIC MODEL "R"

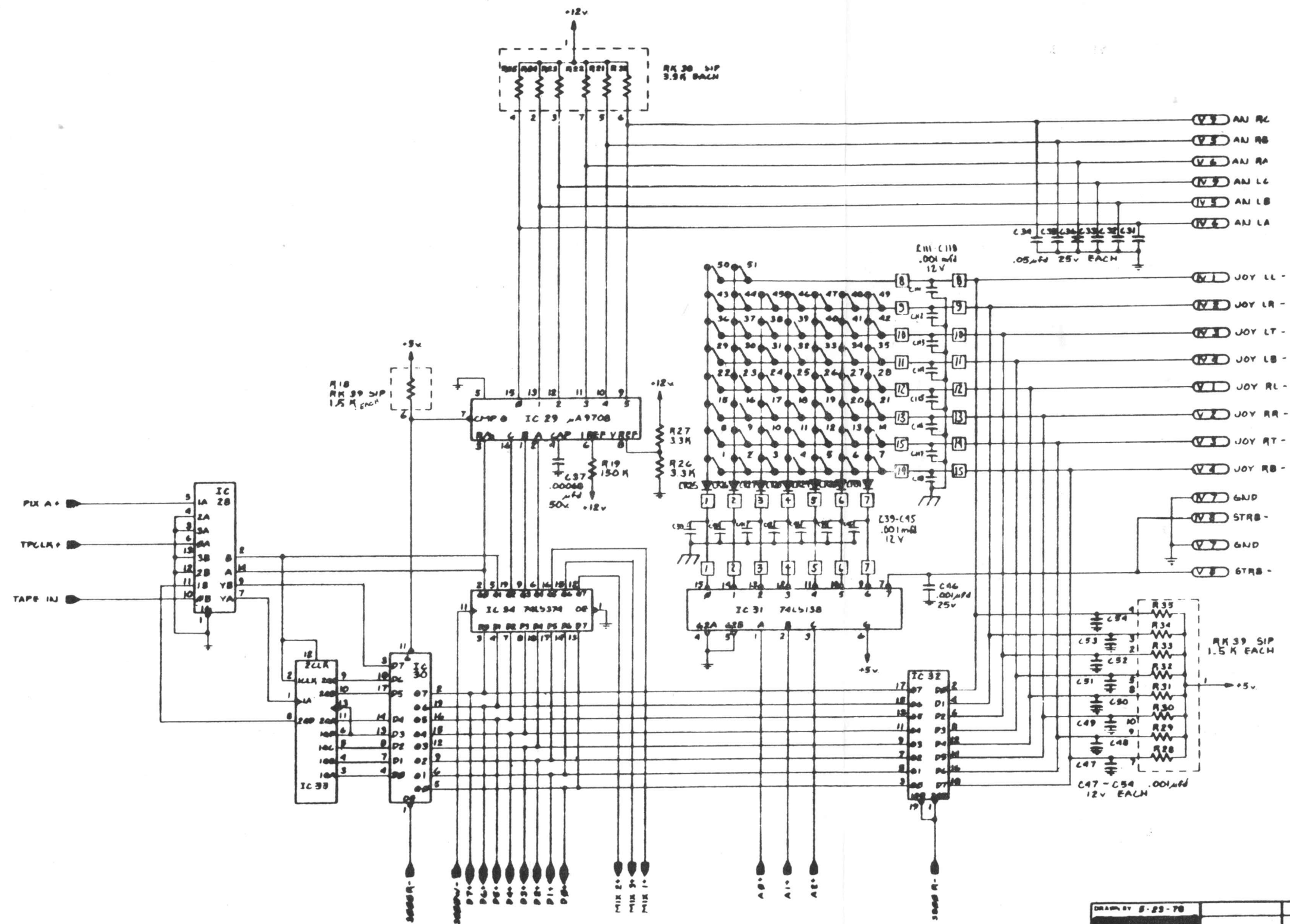
13-0168 SHEET 3 C



DRAWN BY: 5-22-78 CHECKED BY: APPROVED BY:	UNLESS OTHERWISE SPECIFIED TOLERANCES ARE IN INCHES 3 PLACE DEC. 3 PLACE DEC. OPTIONAL PARTS: 10-0010 5-0094 USED OR BUY NEW	16K RAM COMPUTER MAIN ELECTRONICS SCHEMATIC MODEL "R" D 15-0168 SHEET 4
--	---	---

11/11/78

REVISION			
LTN	DESCRIPTION	DATE	APPROVED
	REL FOR PROR	7 18 78	S-5



GND ON MAIN BOARD
 GND ON INTERCONNECT BOARD

DRAWN BY S-23-78 CHECKED BY APPROVED	UNLESS OTHERWISE SPECIFIED TOLERANCES ARE IN MICRONS 3 PLANE DCL 1 3 PLANE DCL 2 INTERNAL 10-0010 5-0094 MADE ON UNIT REV	16K RAM COMPUTER MAIN ELECTRONICS SCHEMATIC MODEL "A" 13-016A SHEET 5
--	--	--

11/11/78

